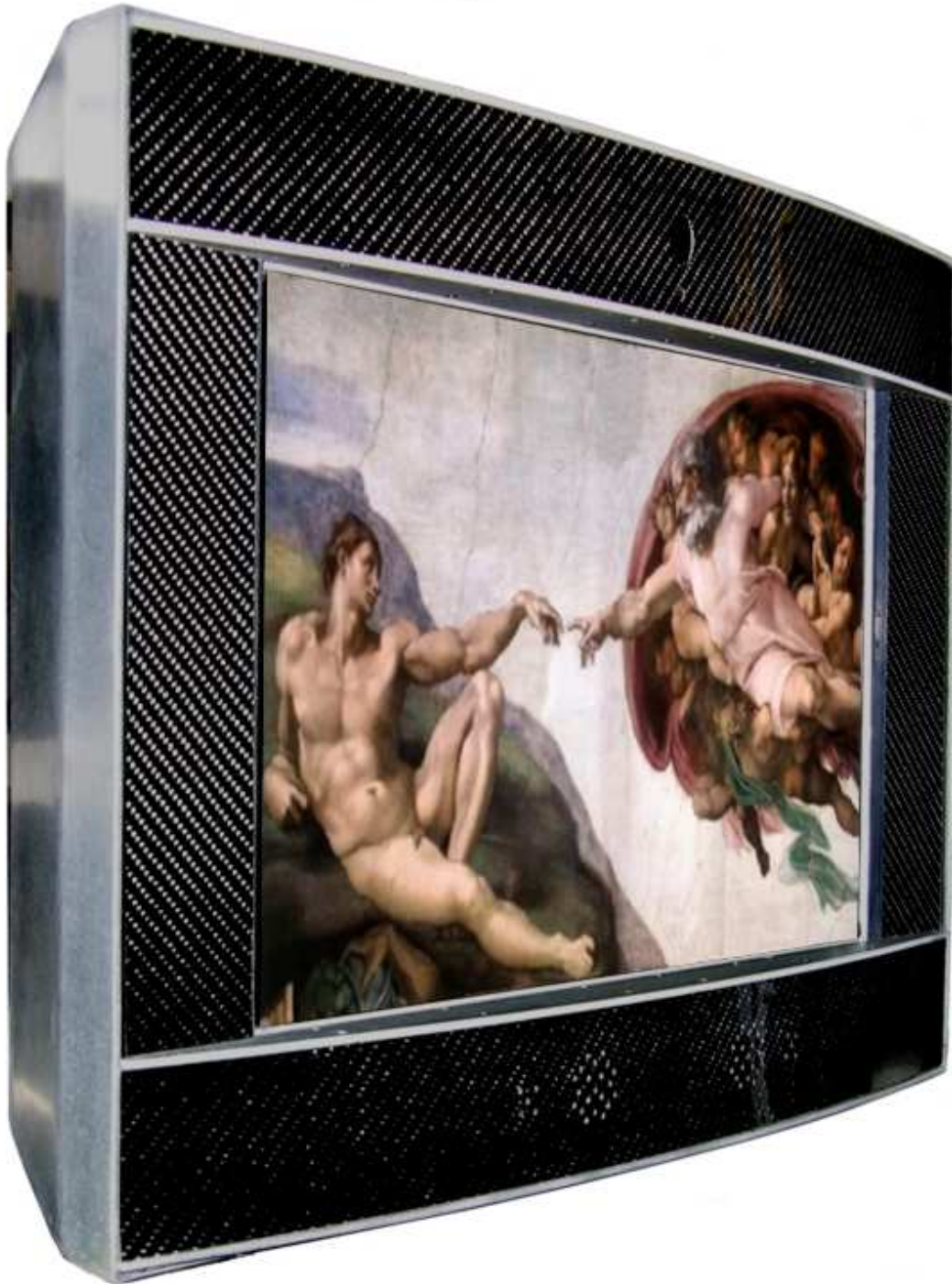


e z s c r e e n®

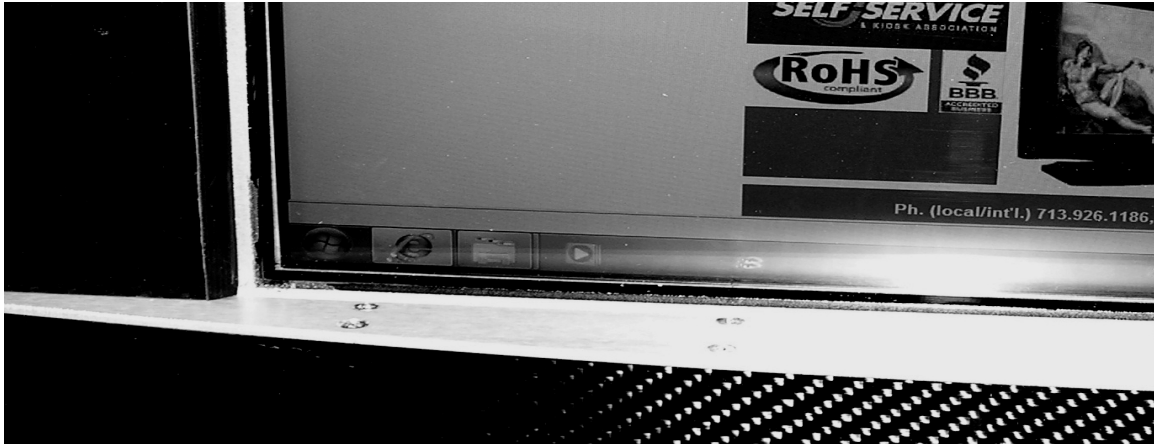
“The Natural Interface Is Touch”

***AnyWhere* Kiosk**

v1.0A



Update: 04/06/2010



W elcome

The **AnyWhere Kiosk** is designed to be mounted indoors or out, in all weather conditions. It is best used, however, with overhead protection. This allows for the best readability of the LED LCD display and will lengthen the life of the unit.

Features

The **AnyWhere Kiosk** is an earth-friendly green machine. It has a very low wattage draw and most of the major components are fully recyclable.

Low Voltage

The **AnyWhere Kiosk** operates on 12 volt direct current unit. It is well suited to locations off the grid.

Long Life

The LED backlit display not only draws less power than typical CCFL backlights but also lasts longer and creates less heat.

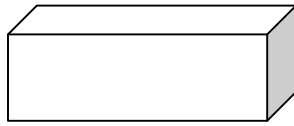
It Breathes

While we seal against water intrusion, the **AnyWhere Kiosk** still needs to exchange air. This is accomplished with high technology **Free Breathers**.

Touchable

The **AnyWhere Kiosk** is provided with our Wavelength infrared touch screen. It is available in single or multi-touch versions.

Unpacking



The **AnyWhere Kiosk** comes ready to run.

In standard form, everything is pre-loaded, including Windows® 7.

The touch screen is already calibrated.

All necessary software drivers are already installed.

Only some basic assembly of your mount (if so equipped) and hookup to your power source will be required.

Keep your supplied software and instructions in a safe place. If warranty work or upgrades are needed in the future these items will be required.

Fill out and return the warranty registration card within 30 (thirty) days.

Power



There is **NO POWER SWITCH**. **DO NOT** shut off the kiosk using the operating system.

If you do so, you will have to open the unit and “Jump” the power-on contacts on the motherboard.

ALWAYS DISCONNECT the power source before opening or working on the unit.

There is dangerous high voltage electrical current in the unit.

To shut off the unit, disconnect from your 12VDC power source.

Be certain to connect the power properly and **use caution** when working with electrical power. Reversing polarity of the power source can cause permanent damage to the unit.

Mishandling even low voltage can cause serious personal injury or **DEATH**. Connecting power to the unit will turn it on.

A power supply input wire is supplied extending out the rear of the unit.
RED is the positive 12 VOLT DC connect wire.
BLACK is negative 12 VOLT DC connect wire.

These should be connected to your power supply within a UL approved junction box by a qualified and licensed electrician. We suggest the use of a dedicated fusible circuit. Consult your local electrical codes.

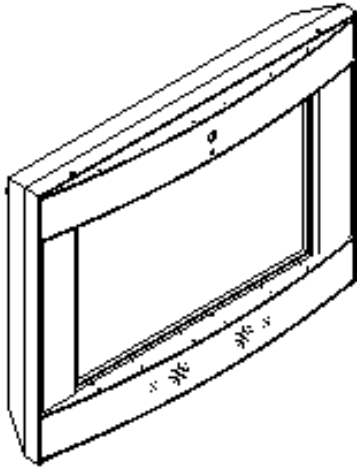
On The Outside

ezscreen

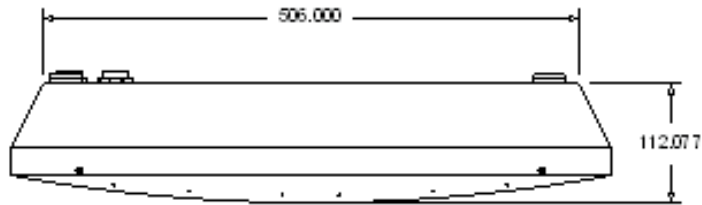
"The Natural Interface Is Touch"

AnyWhere Kiosk

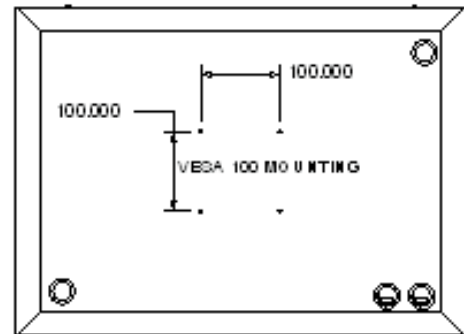
Version 1.0



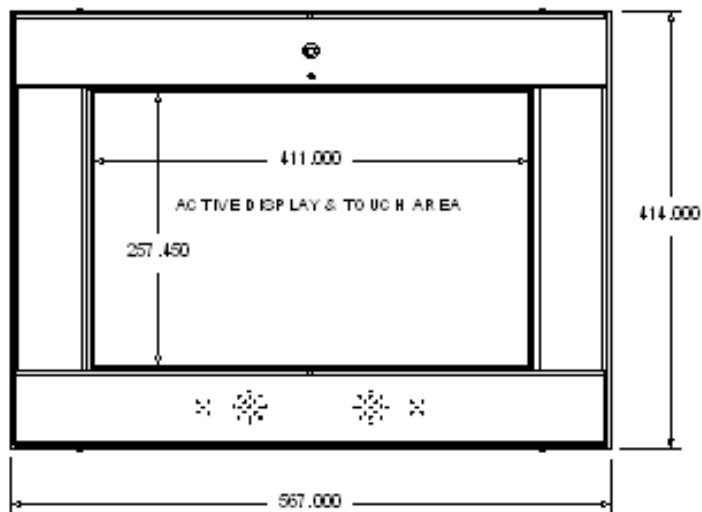
TOP VIEW



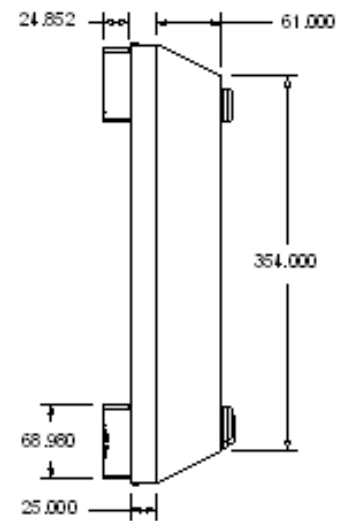
REAR VIEW



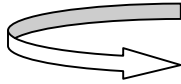
FRONT VIEW



SIDE VIEW



What's Inside



Specifications:

Processor:

Intel Atom processor N270 with a 533 MHz system bus and 512KB L2 cache

Chipset:

Intel 945GSE Express Chipset

Memory:

2 GB DDR2 800 MHz

Audio:

Intel High Definition Audio

Video:

Intel Graphics Media Accelerator 950

LAN support: Realtek 10/100/1000 Ethernet Controller (Optional External Wireless "N" LAN)

Storage:

250GB 3.0 GB per second 7,200 RPM 2.5" Ruggedized Hard Disk Drive (Solid State Storage Optional)

Touch Screen:

Ezscreen® Wavelength Infrared IP65 Single-Touch (Multi-Touch Optional)

Webcam:

True 2.0-megapixel sensor

HD video capture (up to 1600 x 1200)

720p wide-screen mode

Photos: 8 megapixels (software enhanced)

Up to 30 frames per second video

Mike:

Waterproof GoreTex® Acoustical Gasket Protects the Omni-Directional Microphone

Speakers:

Waterproof GoreTex® Acoustical Gaskets Protect the All-Weather Speakers and Bass Ports

Mounting:

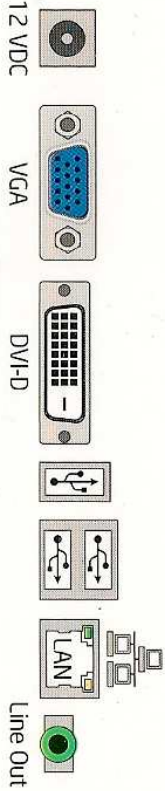
Standard 100mm VESA Mounting Points for a Variety of Options

Software:

Windows® 7 Professional (Optional Kioware® Kiosk Management Software for Lock-Down and Remote Operations)

Motherboard: Intel D945GSEJT

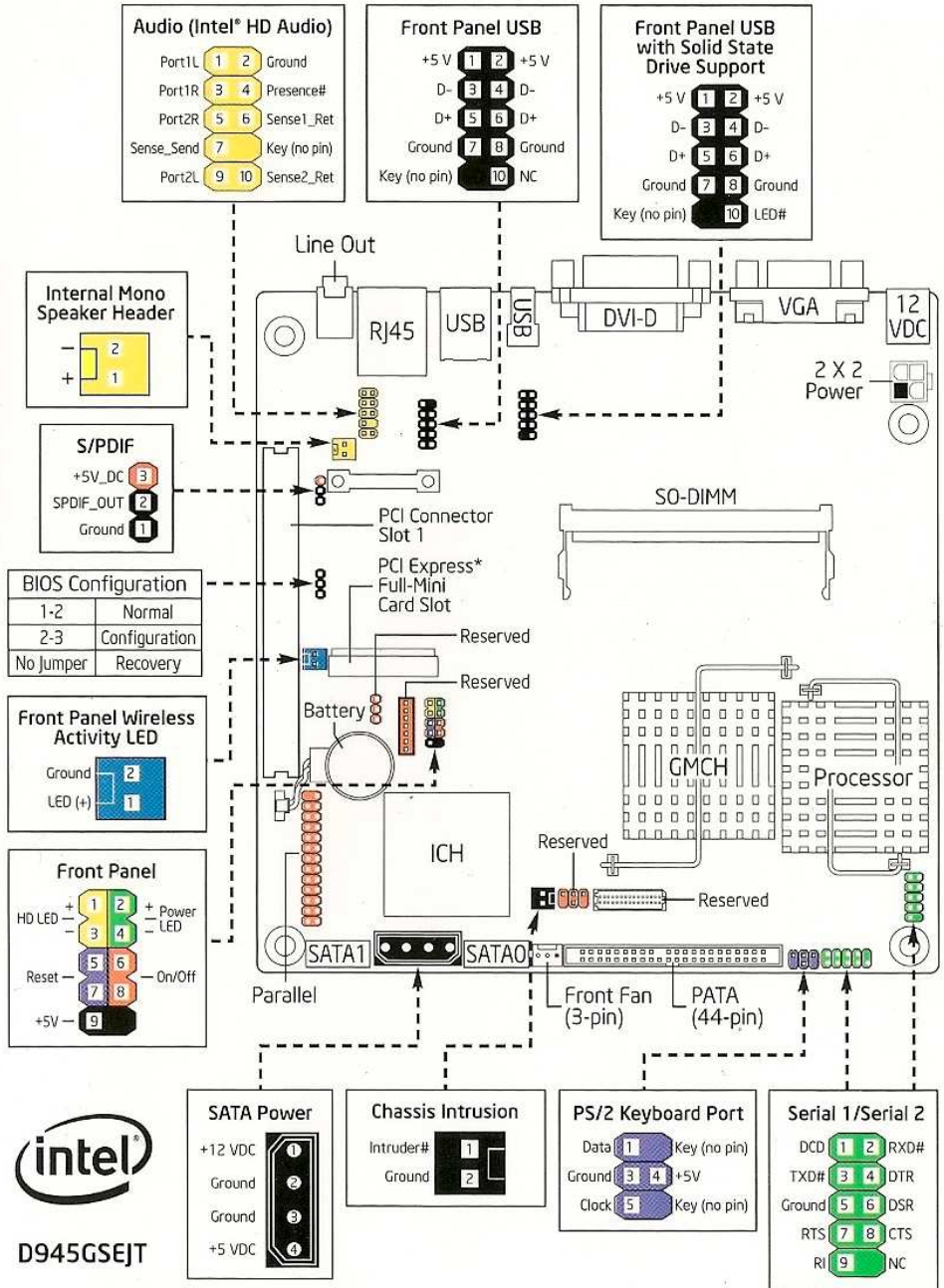
ES9411-001



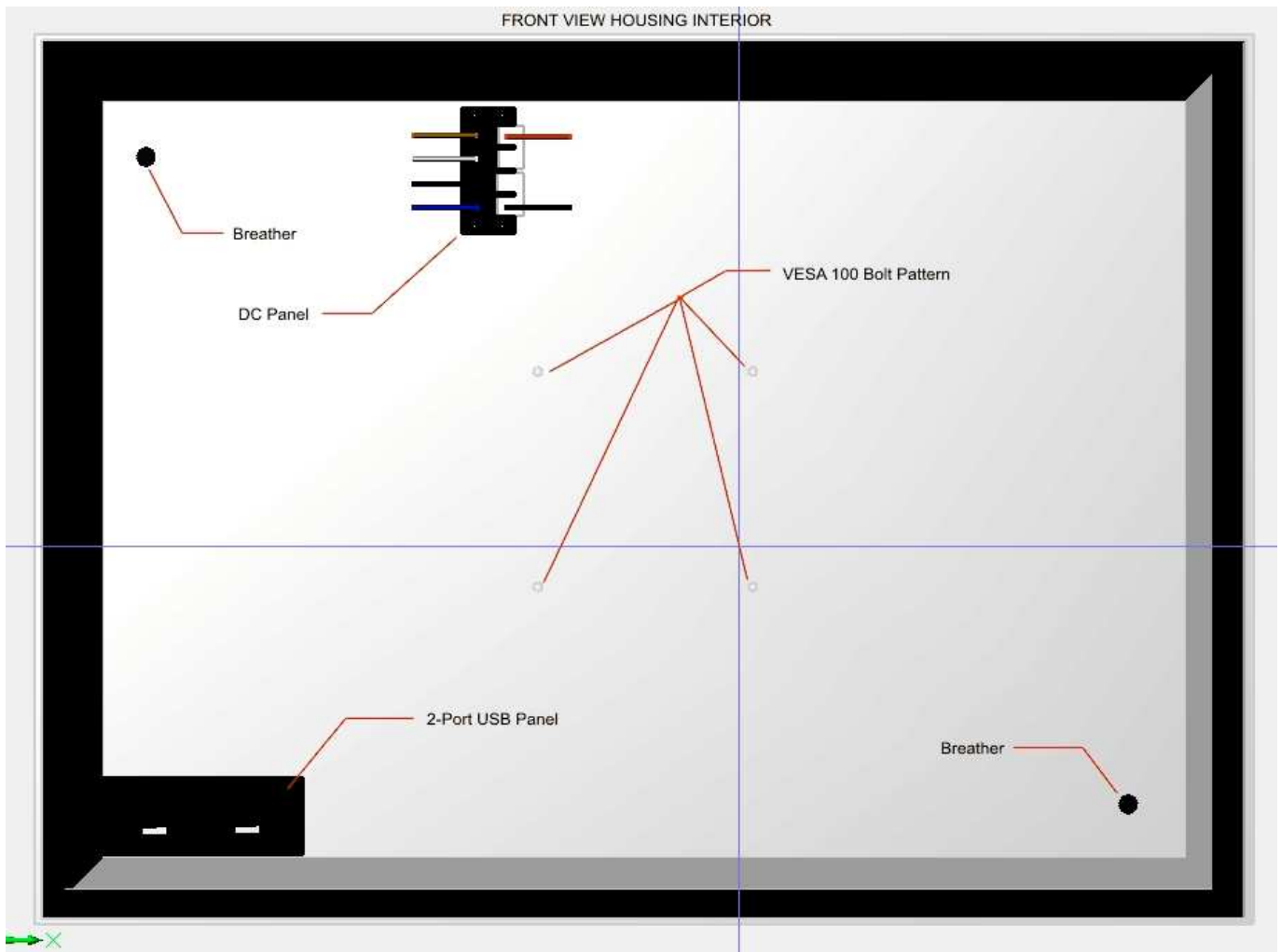
Attach this label near the back panel connectors.

Attach this label to the inside surface of the chassis.

CAUTION
 Risk of explosion if the battery is replaced with an incorrect type. Batteries should be recycled where possible. Disposal of used batteries must be in accordance with local environmental regulations.

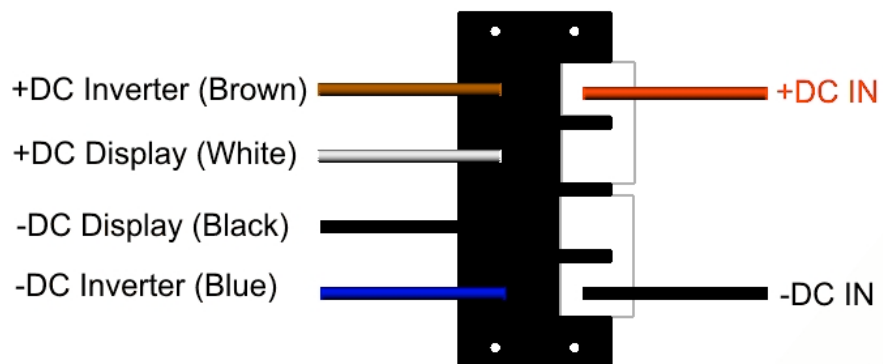


Inside The Housing



Primary 12 VOLT DC POWER CONNECT PANEL

This illustration is a reference. The **AnyWhere Kiosk** is pre-wired.



Features At A Glance

